



Food Processor Cutter-mixer 7l/7.4qt, var. speed,1500w, nema 5-15p

ITEM # _____

MODEL # _____

NAME # _____

SIS # _____

AIA # _____



602246 (DK70)

Cutter Mixer, variable speed (300-3700 RPM), equipped with 7lt/7.4 quart stainless steel bowl with clear BPA-free lid, with bowl scraper, fine serrated blade rotor, stainless steel housing, 300-3300 RPM, 2 HP, 120v/60/1-ph, 15.0 amps.

Short Form Specification

Item No. _____

Cutter Mixer, variable speed (300-3700 RPM), equipped with 7lt/7.4 quart stainless steel bowl with clear BPA-free lid, with bowl scraper, fine serrated blade rotor, stainless steel housing, 300-3300 RPM, 2 HP, 120v/60/1-ph, 15.0 amps.

Main Features

- Emulsifier function (scraper) included as standard.
- All parts in contact with food are removable without the use of tools, completely dismountable and dishwasher safe.
- Pulse function to coarse chopping.
- Base fixed cover for a better handling.
- Delivered with:-7.4 qt stainless steel cutter bowl, transparent lid, scraper and microtoothed blade rotor.
- Capacity:-cutter mixer working capacity from 5.3 ounces (150 g) to 6.6 lbs (3.5 kg), for 50-150 meals per service.

Construction

- Power: 1.3 HP.
- Stainless steel bowl has a high chimney to ensure high productivity also when processing liquids (75% of the nominal capacity).
- IPX5 (IP55) flat panel touch-control, watertight panel.
- Compact and portable design.
- Asynchronous industrial motor with no brushes for high reliability and quiet functioning, stainless steel motor shaft.
- All blades (available on request) are made in stainless steel and dishwasher safe.
- Improved ventilation system to manage smoothly heavy duty use.
- Reinforced feet to withstand the repeated handling of the unit.
- Food processing at 10 variable speeds: 300-3700 rpm.

Included Accessories

- 1 of Lid and bowl scraper for 7.4 qts PNC 650104 (7 L) cutter mixer
- 1 of Stainless steel bowl for 7.4 qts PNC 653593 (7 L) cutter mixer
- 1 of Microtoothed blade rotor for 7 PNC 653874 lt cutter mixer

Optional Accessories

- Lid and bowl scraper for 7.4 qts (7 L) cutter mixer PNC 650104
- Stainless steel bowl for 7.4 qts (7 L) cutter mixer PNC 653593
- SMOOTH BLADE ROTOR - 7L CUTTER-MIXER PNC 653881
- MICROTOOTHED BLADE ROTOR (EMULSIONS) - 7L CUTTER-MIXER PNC 653882

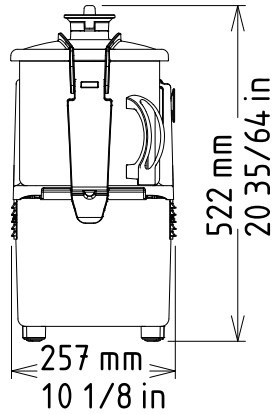
APPROVAL: _____

Cutter-mixer 7l/7.4qt, var.speed,1500w, nema 5-15p
Food Processor

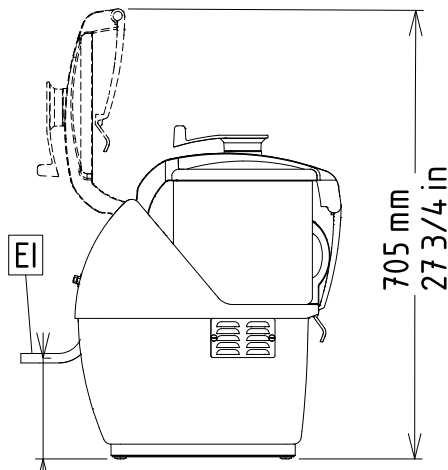


Food Processor Cutter-mixer 7l/7.4qt, var. speed,1500w, nema 5-15p

Front



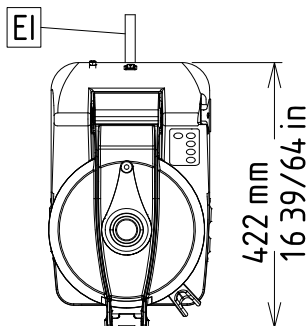
Side



215 mm
8 15/32 in

EI = Electrical connection

Top



Electric

Supply voltage:	110-120 V/1N ph/60 Hz
Total Watts:	1.5 kW
Plug type:	USA NEMA 5-15P

Key Information:

External dimensions, Width:	10 1/16" (256 mm)
External dimensions, Depth:	16 5/8" (422 mm)
External dimensions, Height:	20 9/16" (522 mm)
Shipping width:	11 13/16" (300 mm)
Shipping depth:	23 5/8" (600 mm)
Shipping height:	21 5/8" (550 mm)
Shipping weight:	60 lbs (27 kg)



Food Processor
Cutter-mixer 7l/7.4qt, var.speed,1500w, nema 5-15p

The company reserves the right to make modifications to the products without prior notice. All information correct at time of printing.

2026.04.21